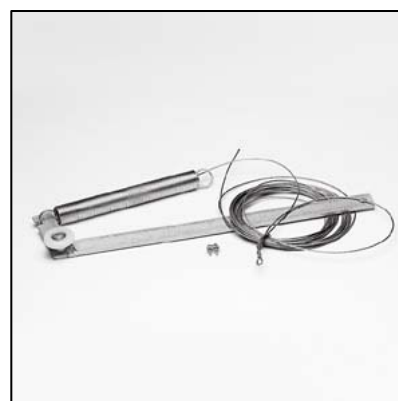
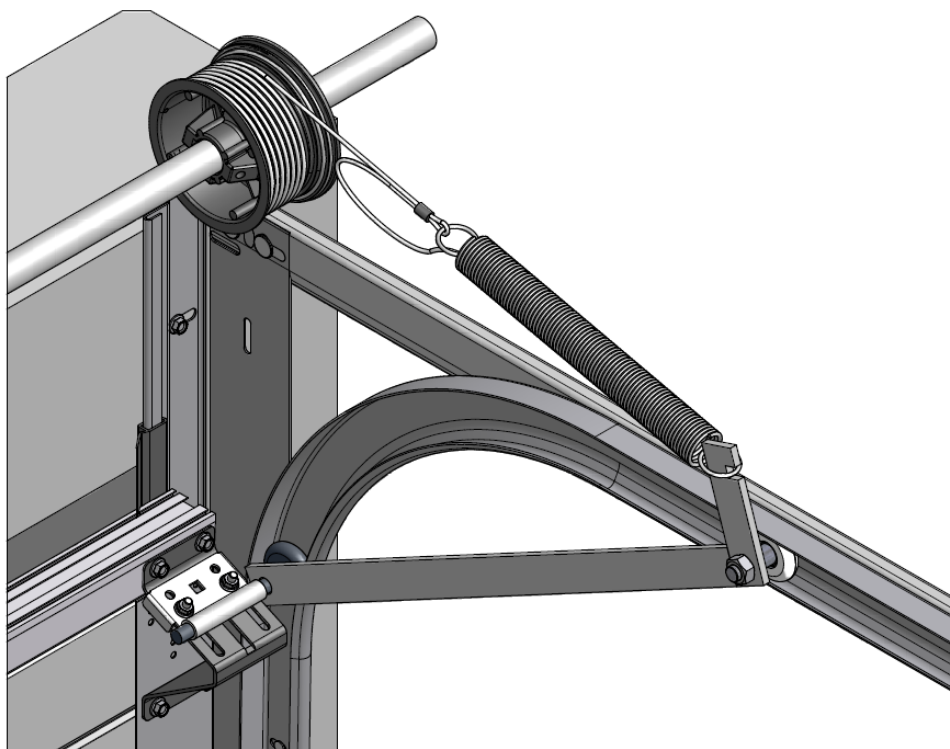


687

cable tension set for NL-industrial doors

INSTALLATION


© All rights reserved. FlexiForce®, 2008





ATTENTION! GENERAL WARNINGS!

To install, use and maintain this product safely, a number of precautions must be taken. For the safety of all concerned pay heed to the warnings and instructions given below! If in doubt, contact your supplier!

SPECIAL SAFETY WARNINGS OR REMARKS IN THIS MANUAL ARE INDICATED WITH THIS SYMBOL:  READ THESE WARNINGS CAREFULLY.

- ✓ This manual has been written for use by experienced fitters and as such is not suitable for d.i.y.-purposes or for use by trainee fitters.
- ✓ This manual describes the installation of a hardware product. Be sure to supplement this manual if needed with instructions for any additional components not described in this manual.
- ✓ Before starting, read this manual carefully!
- ✓ Bottom brackets and cable break devices are under high tension! Do not try to remove, adjust or repair, without releasing the cable tension! Always be careful during installation!
- ✓ Certain components may be sharp or have jagged edges. As such you are advised to wear safety gloves.
- ✓ This product is designed for use with this specific overhead doors. Replacement or adding additional components may have an adverse effect on the safety of, and the guarantee on, the product and complete door. Also the possible CE-approval which has been granted to this product will be cancelled when components are changed or installation is not done according to this manual! The installer is responsible for this.
- ✓ During tensioning, springs can exert large forces. Work carefully. Use the proper equipment. Ensure that you are standing in a steady position.
- ✓ Ensure that there is sufficient light during installation. Remove obstacles and dirt. Make sure that there is no one else present other than the fitters. Other people (children!) may get in the way or endanger themselves during the installation.
- ✓ Ensure that the building is constructed strong enough to carry the overhead door construction. It is the responsibility of the installing company to use fixing materials which are strong enough and equipped to fix the overhead door to the building.
- ✓ Cutting of the bottom section is not allowed. The forces on cable break devices and bottom brackets are too high. Cutting is weakening the construction of the door on this critical point. If you need to cut the bottom section make sure you can guarantee the strength.
- ✓ This product can only be taken into use, when all instructions are followed and all documentation has been handed over to the end-user and the end-user has been given instructions and demonstration of the proper use and functioning of this product.

GUARANTEE, CONDITIONS AND TERMS

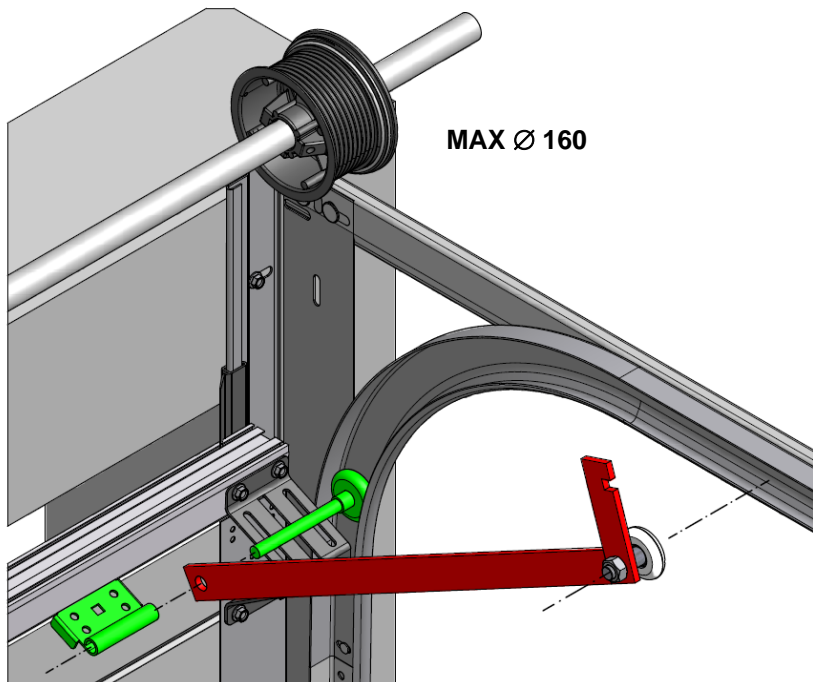
Look for the latest applicable guarantee, conditions and terms for this product on: www.flexiforce.com (order / conditions)

CONTACT

FlexiForce Group B.V., P.O. Box 37, 3770 AA Barneveld, The Netherlands
Tel. +31-(0)342-427777, ff@flexiforce.nl

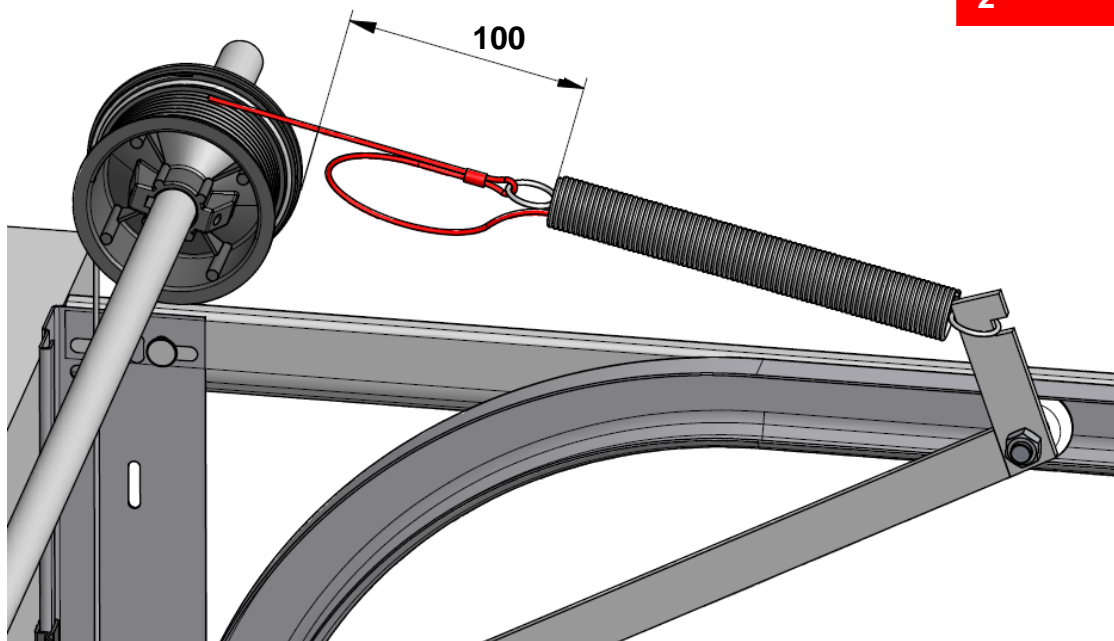
1

1



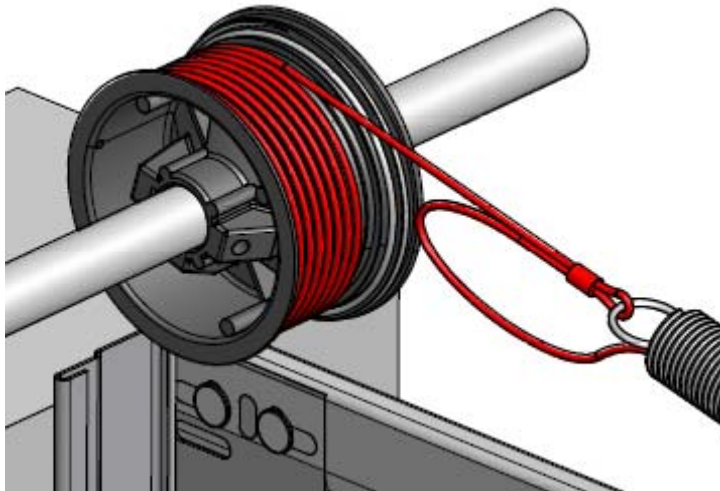
2

2



3

3



4

4

